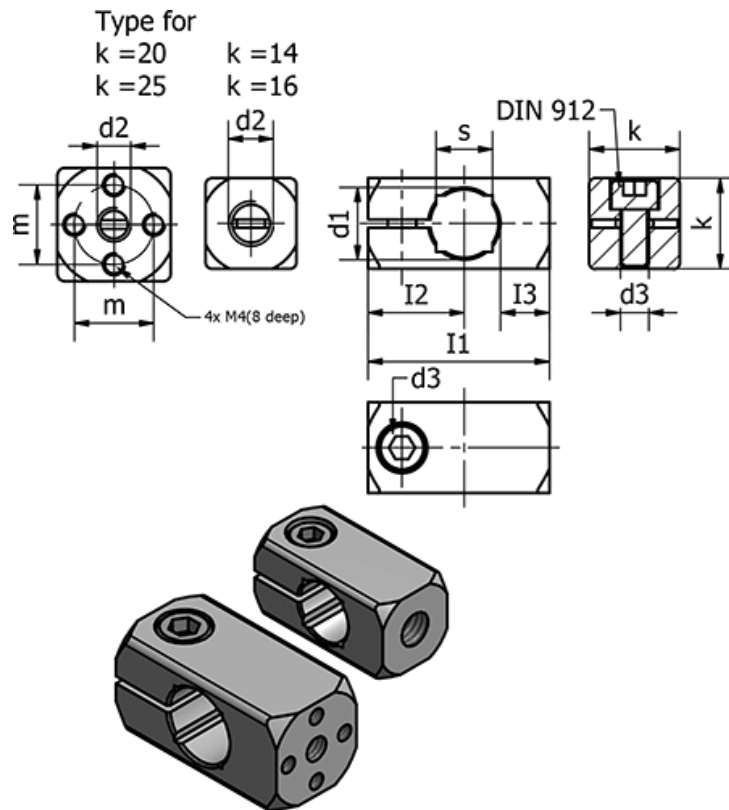


Article number: 20478B10M8ELS

Description: E+G Clamp mounting - GN 478-B10-M8-ELS

Measures



Clamping kit for $d_2 = \text{GN 511-M5-16}$

d_1 h11 = 10
 d_2 = M8
 d_3 = M5
 I_1 = 30
 I_2 = 17
 I_3 = 8
 k = 16

m =
 s = 8
 Weight (g) = 166